

DRAFT UGANDA STANDARD

First Edition
2018-mm-dd

Green surgical fabric for gowns and drapery — Specification



Reference number
DUS 1971: 2018

© UNBS 2018

Compliance with this standard does not, of itself confer immunity from legal obligations

A Uganda Standard does not purport to include all necessary provisions of a contract. Users are responsible for its correct application

© UNBS 2018

All rights reserved. Unless otherwise specified, no part of this publication may be reproduced or utilised in any form or by any means, electronic or mechanical, including photocopying and microfilm, without prior written permission from UNBS.

Requests for permission to reproduce this document should be addressed to

The Executive Director
Uganda National Bureau of Standards
P.O. Box 6329
Kampala
Uganda
Tel: +256 417 333 250/1/2
Fax: +256 414 286 123
E-mail: info@unbs.go.ug
Web: www.unbs.go.ug

Foreword

Uganda National Bureau of Standards (UNBS) is a parastatal under the Ministry of Trade, Industry and Cooperatives established under Cap 327, of the Laws of Uganda, as amended. UNBS is mandated to coordinate the elaboration of standards and is

- (a) a member of International Organisation for Standardisation (ISO) and
- (b) a contact point for the WHO/FAO Codex Alimentarius Commission on Food Standards, and
- (c) the National Enquiry Point on TBT Agreement of the World Trade Organisation (WTO).

The work of preparing Uganda Standards is carried out through Technical Committees. A Technical Committee is established to deliberate on standards in a given field or area and consists of key stakeholders including government, academia, consumer groups, private sector and other interested parties.

Draft Uganda Standards adopted by the Technical Committee are widely circulated to stakeholders and the general public for comments. The committee reviews the comments before recommending the draft standards for approval and declaration as Uganda Standards by the National Standards Council.

The committee responsible for this document is Technical Committee UNBS/TC 7, Textiles, Leather, Paper and related products, Subcommittee SC 1, *Textile and related products*.

Green surgical fabric for gowns and drapery — Specification

1 Scope

This Draft Uganda Standard specifies requirements for the performance, of green coloured surgical gowns and drapes materials used in the operating theatre

2 Normative references

The following referenced documents referred to in the text in such a way that some or all of their content constitutes requirements of this document. For dated references, only the edition cited applies. For undated references, the latest edition of the referenced document (including any amendments) applies.

US 385:2001/ EAS 248, *Methods for determination of threads per centimetre in woven fabrics*

US ISO 3801, *Textiles — Woven fabrics — Determination of mass per unit length and mass per unit area*

US ISO 22198, *Textiles — Fabrics — Determination of width and length*

US 441-5:2002/ISO 7211-5, *Textiles — Woven fabrics — Construction — Method of analysis — Part 5: Determination of linear density of yarn removed from fabric*

US 441-3:2002/ISO 7211, *Textiles — Woven fabrics — Construction — Method of analysis — Part 3: Determination of crimp of yarn in fabric*

US ISO 105- X12, *Textiles — Tests for colour fastness — Part X12: Colour fastness to rubbing*

US ISO 105-B01, *Textiles — Tests for colour fastness — Part B01: Colour fastness to light: Daylight*

US ISO 105-C10, *Textiles — Tests for colour fastness — Part C10: Colour fastness to washing with soap or soda*

US ISO 3071, *Textiles — Determination of pH of aqueous extract*

US ISO 5077, *Textiles — Determination of dimensional change in washing and drying*

3 Terms and definitions

For the purposes of this document, the following terms and definitions apply.

ISO and IEC maintain terminological databases for use in standardization at the following addresses:

— ISO Online browsing platform: available at <http://www.iso.org/obp>

3.1

surgical textiles

gowns, drapes, caps, shoe covers, and wrappers

3.2

surgical gowns

protective garment worn by surgeons during operations

3.3

surgical drapes

A cloth arranged over a patient's body during an examination or treatment or during surgery, designed to provide a sterile field around the area

3.4

gown life

the number of times a surgical gown can be washed, dried, sterilized, and used before it loses its barrier qualities and must be discarded

3.5

drape life

the number of times a drape fabric can be washed, dried, sterilized, and used before it loses its barrier qualities and must be discarded

4 General requirements

4.1 The fabric shall have maximum protection for patients, users and third parties with a high microbiological and hygiene standards to prevent the risk of infection.

4.2 The fabric shall have a good wearing comfort of clothing to maintain the high performance of sweat absorbing and a high drapery quality

5 Specific requirements

The surgical gown and drape fabric shall be made to conform to the specification given in tables 1 and 2 below and figures 1 and 2 in annex A

Table 1 — Specification for the green surgical fabric material

S/N	Characteristic/Test	Requirement	Test method
01	Yarn count Warp Weft	Nm 33.2/1 Nm 37.4/1	US ISO 7211-5
02	Weight Mass in gram per square meter, (Mass, g/m ²) min	135	US ISO 3801
03	Construction Ends per cm Picks per cm	25.6 maximum 19.5 maximum	
04	Contraction (%) Warp way Weft way	4.7 ± 1 14.1 ± 1	
05	Width (centimeters)	114 ± 1	US ISO 22198
06	Weave plain	1 x 1	US ISO 7211-3

Nm (Number Metric) = Length (m)
Mass (g)

Table 2 — Other requirements

Characteristics	Requirements	Test Method
pH value	6 - 8	US ISO 3071
Dimensional change on laundering (maximum)	5%	US ISO 5077
Colour fastness to Light washing	6 – 7 4 - 5	US ISO 105-B01 US ISO 105-C10
Rubbing fastness Wet Dry	4 – 5 4 - 5	US ISO 105- X12
Colour finish	green	

6 Packaging

The cloth shall be packed in water proof sheets. Only rolls of the same composition, type, weave, width, colour finish and grade shall be packed together

7 Labelling

The following information shall appear in legible and indelible marking on a label securely attached to the inner end of each roll:

- a) manufacturer's name or trade mark or both;
- b) composition and type;
- c) colour and (where applicable) dye lot number;
- d) width;
- e) length of each roll, in meter; and
- f) production lot number or production batch number.

8 Criteria of conformity

The lot shall be deemed as conforming to the requirements of this Uganda Standard when the following conditions are met:

- a) The average ends per centimeter of the fabric under test are in accordance with the requirement specified in table 1

- b) The average picks per centimeter of the fabric under test are in accordance with the requirement specified in table 1.
- c) The weight of the fabric conforms to the requirement specified in table 1.

Annex A
(normative)

Annex title

A.1 Standard size for a green surgical gown made from high thread-count cotton and polyester/cotton gown fabrics

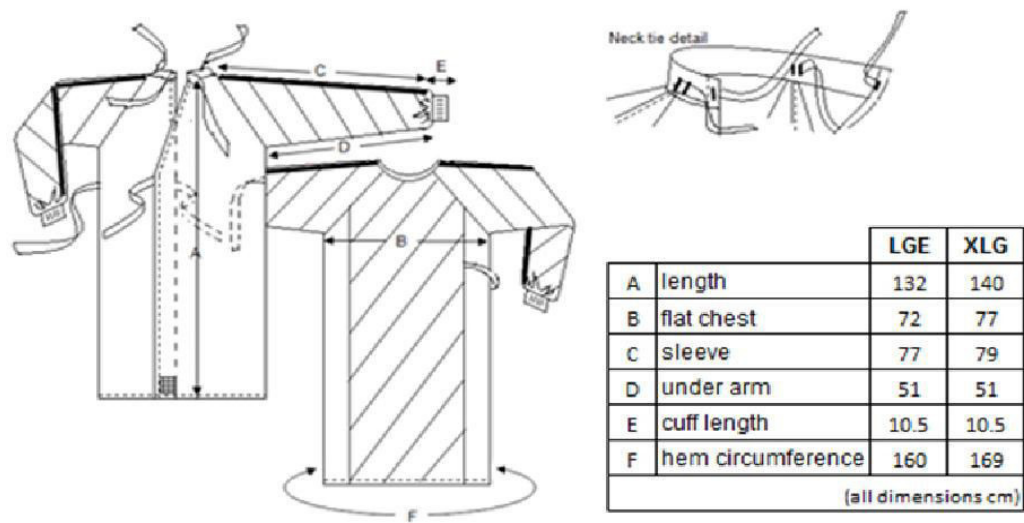


Fig. 1 — Surgical gown

A.2 Surgical drapes, gowns and clean air suits, as medical devices for patients, clinical staff and equipment. Used in the operating theatre

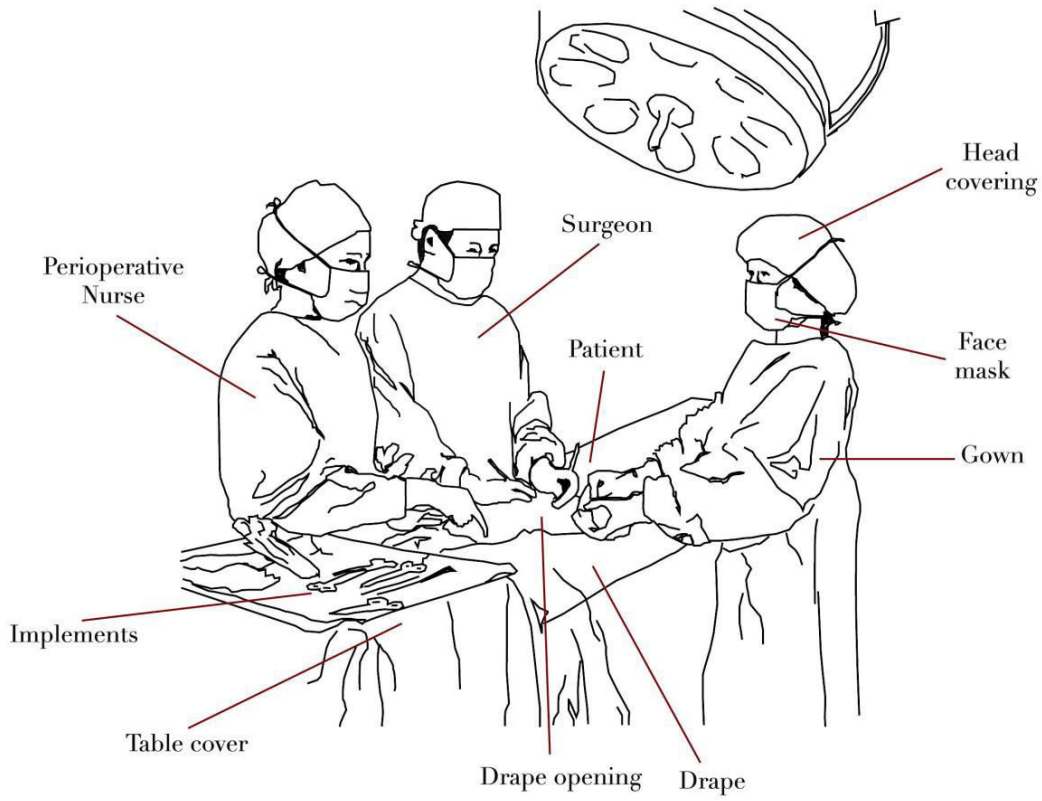


Fig. 2 Operating Room (OR)

Uganda

Bibliography

- [1] TZO 1617:2014, *Textiles — Specification for green surgical fabric for gowns and drapery*

Certification marking

Products that conform to Uganda standards may be marked with Uganda National Bureau of Standards (UNBS) Certification Mark shown in the figure below.

The use of the UNBS Certification Mark is governed by the Standards Act, and the Regulations made thereunder. This mark can be used only by those licensed under the certification mark scheme operated by the Uganda National Bureau of Standards and in conjunction with the relevant Uganda Standard. The presence of this mark on a product or in relation to a product is an assurance that the goods comply with the requirements of that standard under a system of supervision, control and testing in accordance with the certification mark scheme of the Uganda National Bureau of Standards. UNBS marked products are continually checked by UNBS for conformity to that standard.

Further particulars of the terms and conditions of licensing may be obtained from the Director, Uganda National Bureau of Standards.



DUS 1971: 2018

ICS 11.040.30

Price based on nn pages